

Custom Duct Heaters

Minimum & Maximum Duct Dimensions

Although there is no limitation on the maximum size of custom heater assemblies, individual UL Listed heaters must meet the following minimum and maximum requirements (see tables below).

UL Listed custom heaters are also available in virtually any KW rating. However, heaters are restricted to maximum KW ratings based on the square feet of heated area.

INDEECO has built individual duct heaters for space heating applications ranging from 0.1 KW to over 900 KW, multi-section units with up to 2000 KW in one assembly, and face areas as large as 40' wide x 14' high. Exact dimensional and KW limits can be determined by contacting your local INDEECO representative.

Table XIV
Open Coil Custom Heaters

	Slip-in Type in (mm)	Flanged Type in (mm)
Minimum Duct Width (W)	5.25 (133)	5 (127)
Minimum Duct Height (H)	4.25 (108)	3 (76)
Maximum Duct Width (W)	240 (6100)	240 (6100)
Maximum Duct Height (H)	120 (3050)	120 (3050)

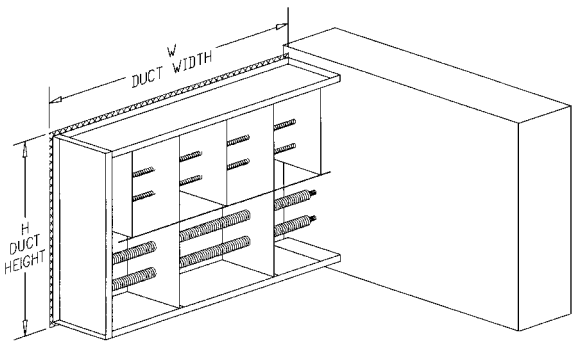


Figure 70. Slip-in Duct Heater

Table XV
Finned Tubular Custom Heaters

	Slip-in Type in (mm)	Flanged Type in (mm)
Minimum Duct Width (W)	4.75 (121)	4.5 (114)
Minimum Duct Height (H)	5.25 (133)	4 (102)
Maximum Duct Width (W)	175 (4450)	175 (4450)
Maximum Duct Height (H)	120 (3050)	120 (3050)

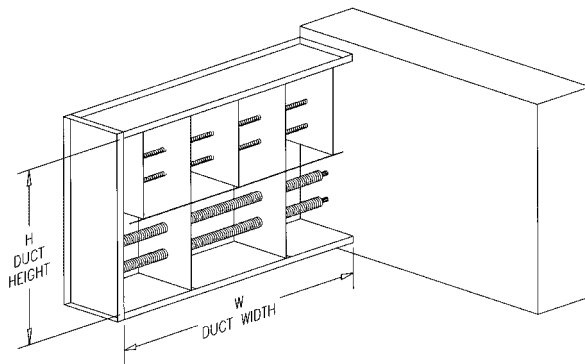


Figure 71. Flanged Duct Heater

